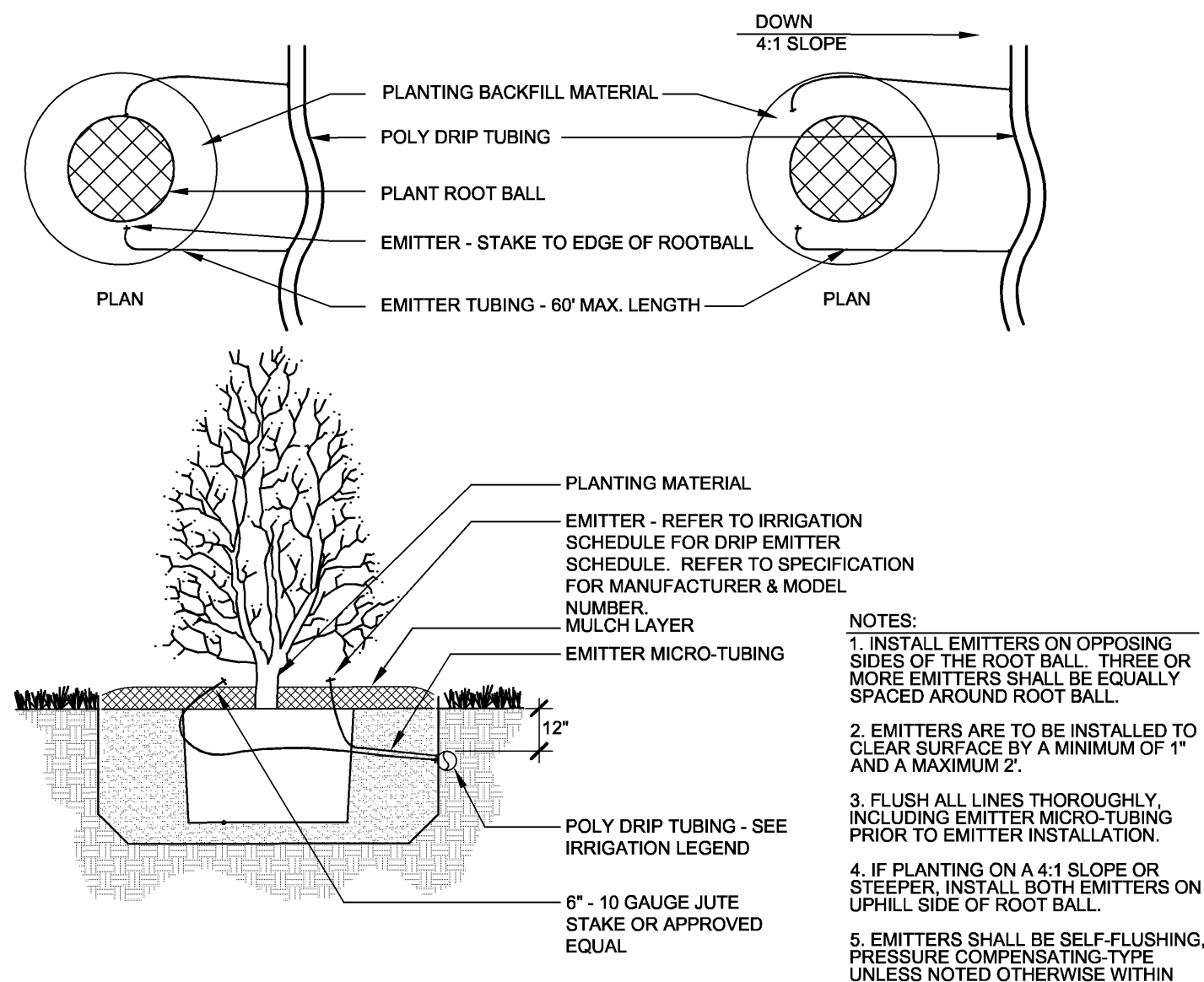
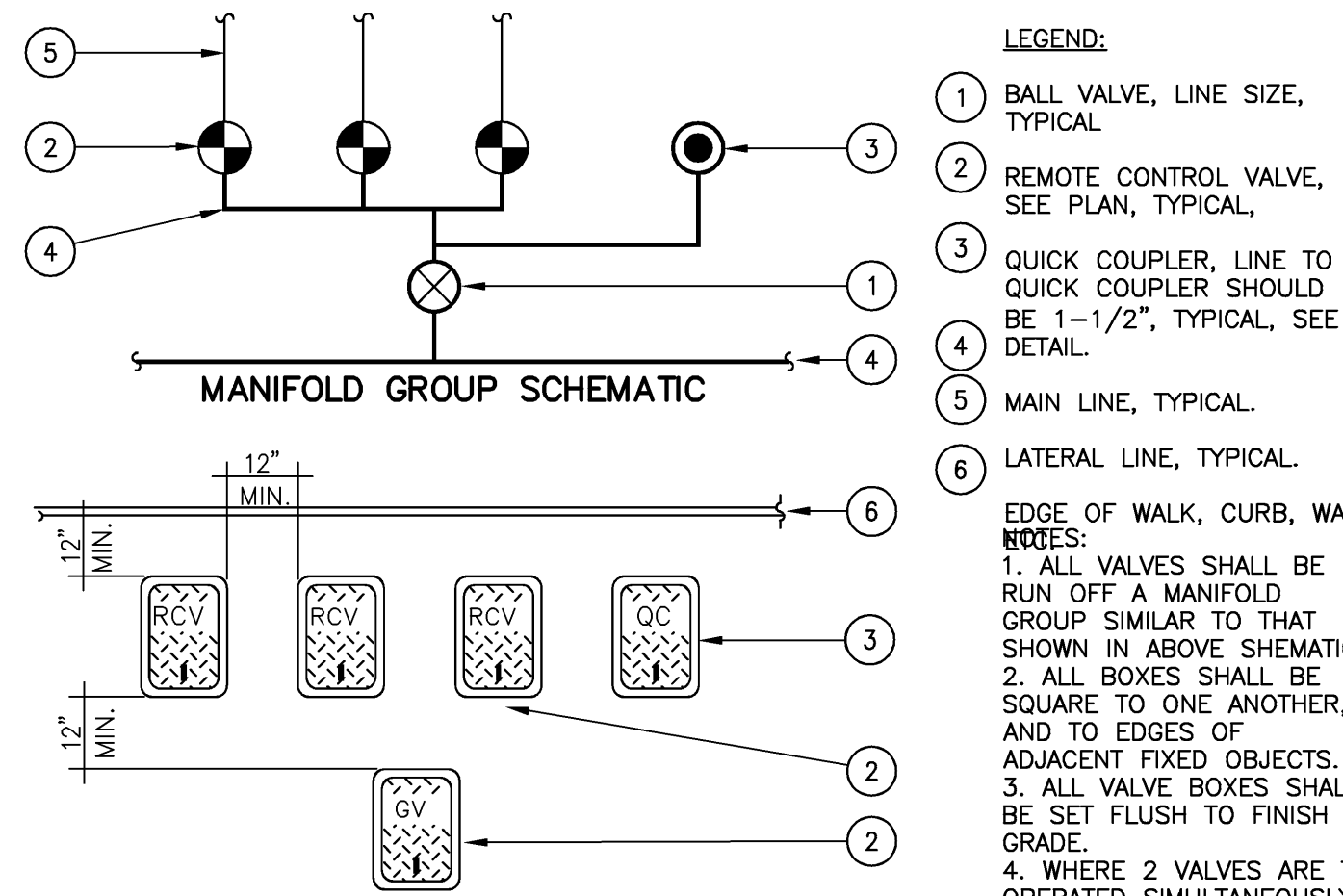


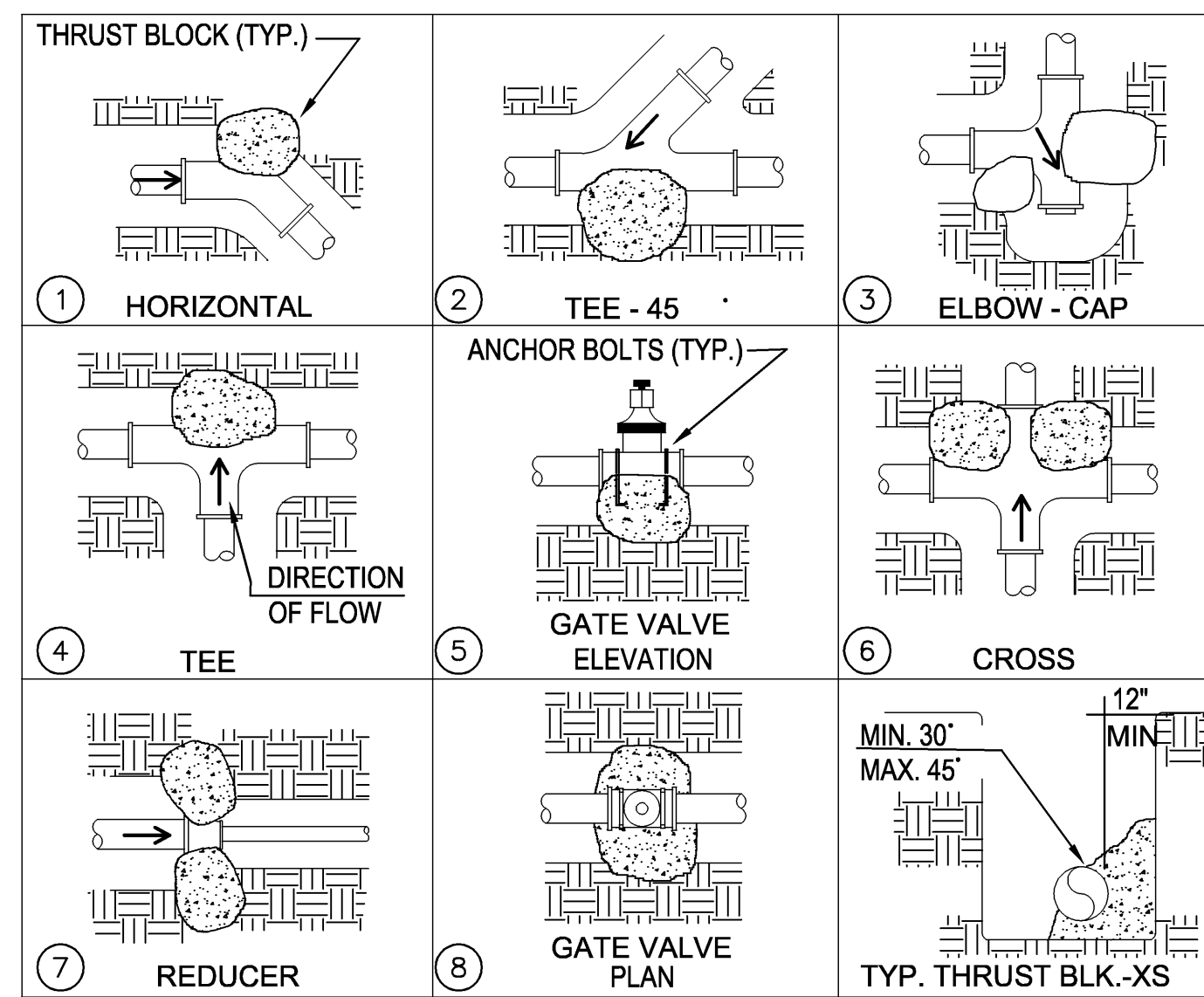
NOT FOR CONSTRUCTION



13 DRIP EMITTER
SCALE: N.T.S.

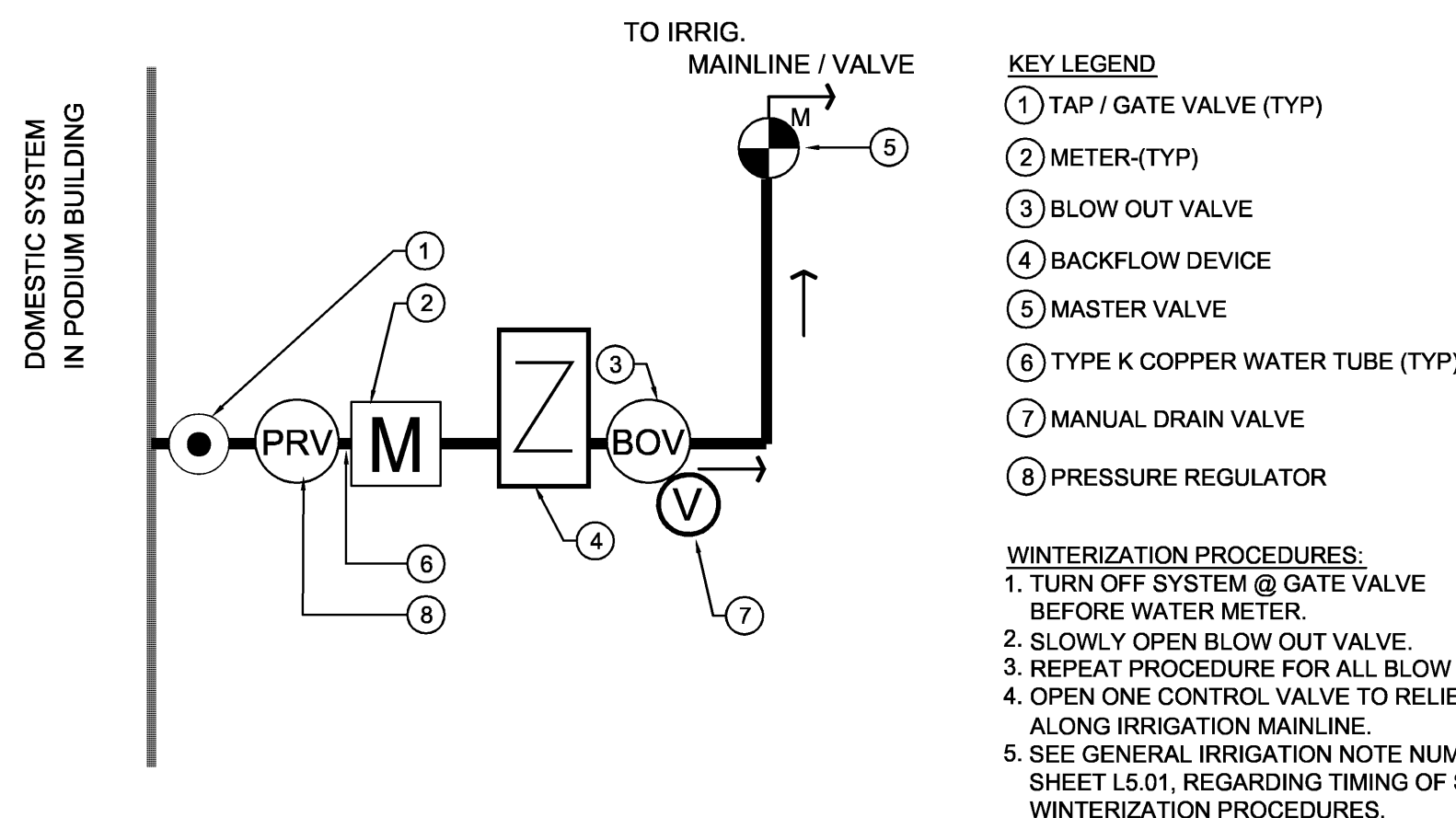


14 VALVE MANIFOLD
SCALE: N.T.S.



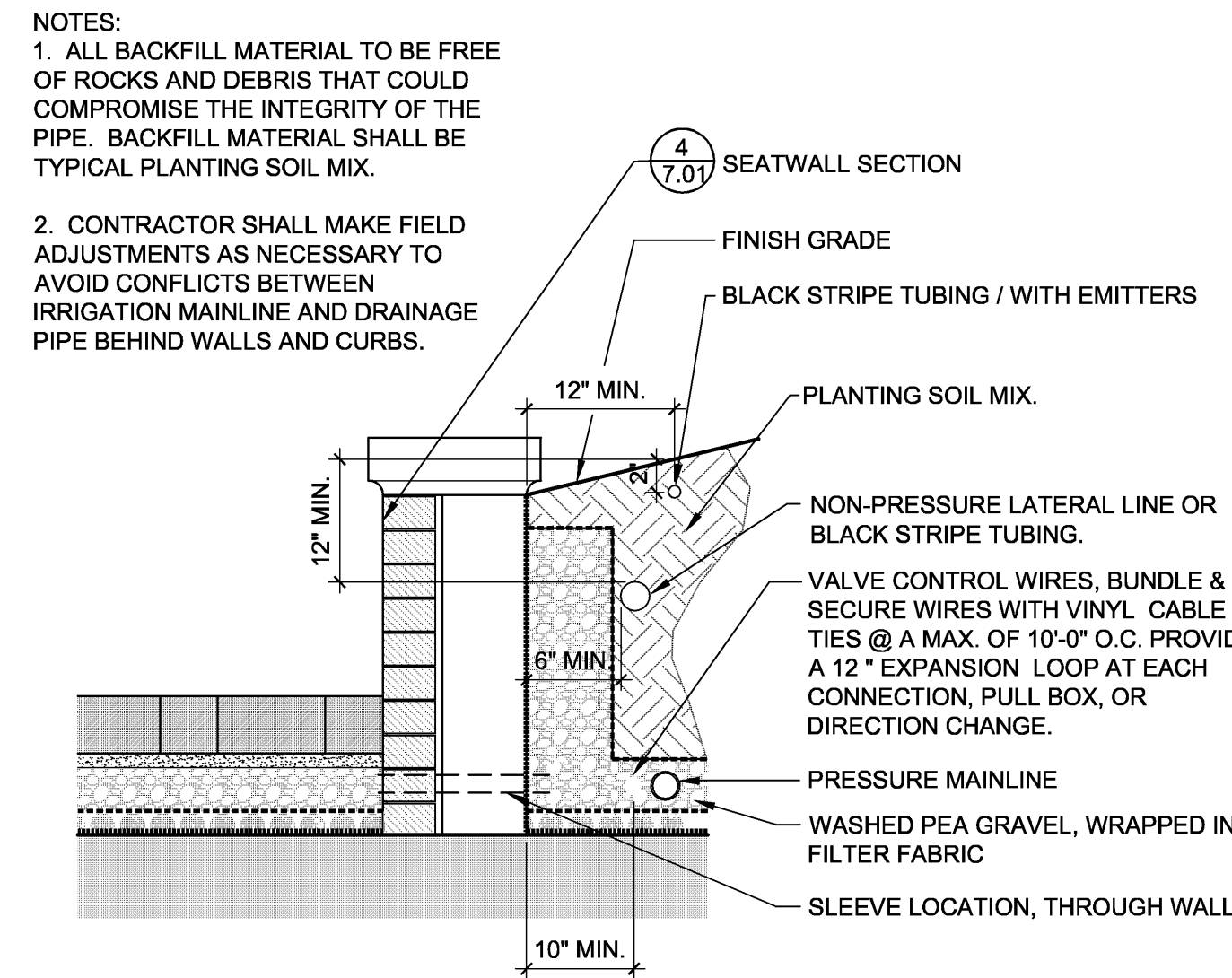
NOTES:
1. PLASTIC PIPE SHALL BE INSTALLED ACCORDING TO THESE DETAILS UNLESS OTHERWISE NOTED OR DETAILED.
2. THE PORTLAND CEMENT CONCRETE USED FOR THRUST BLOCKS SHALL BE MIN. 470-8-20000 CONC.
3. ALL ANCHOR RODS SHALL BE GALVANIZED STEEL MIN. 1/2" INCH IN DIAMETER.
4. SIZE OF THRUST BLK: 4" PIPE = 4 CU. FT. CONC.
5. WRAP ALL PIPE AND FITTINGS WITH MIN. 4 WRAPS OF SIX MIL PLASTIC BEFORE POURING THRUST BLOCKS.

15 THRUST BLOCKS
SCALE: N.T.S.

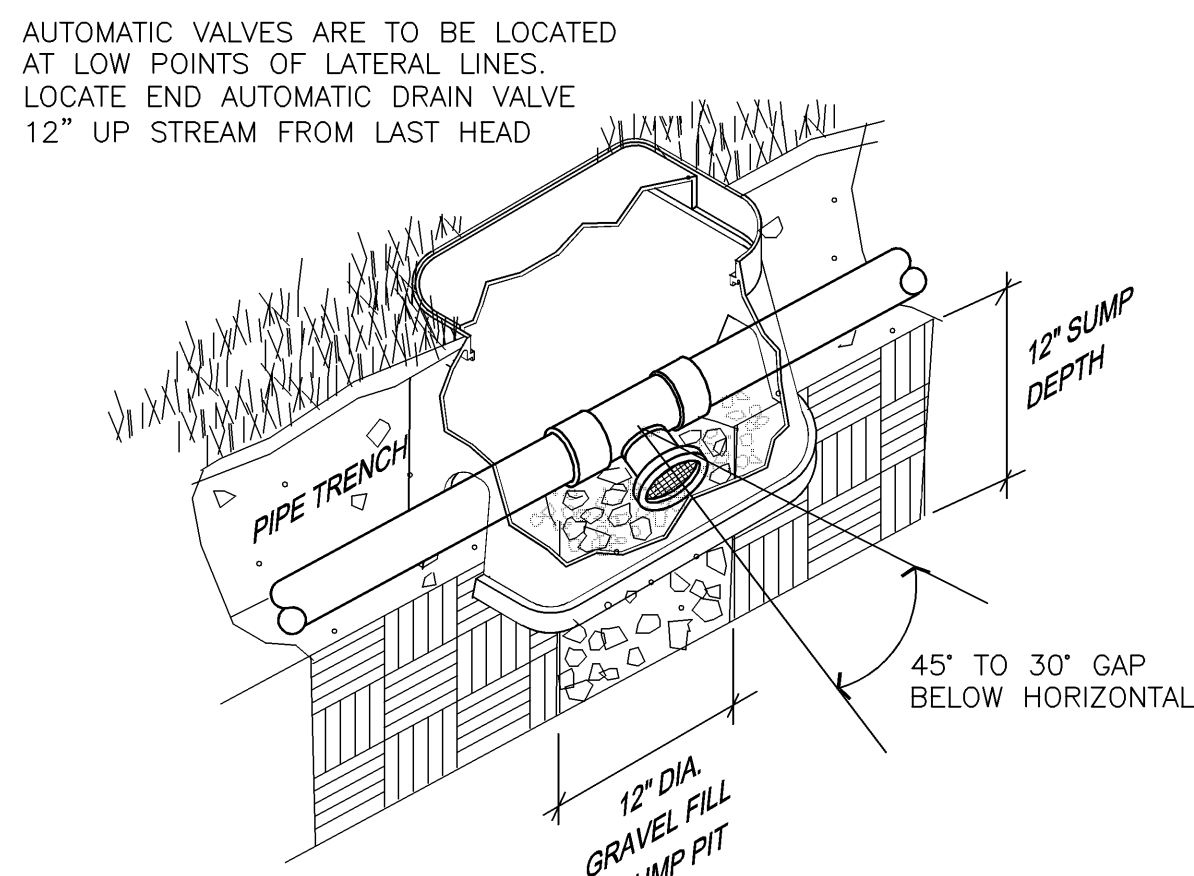


16 POINT OF CONNECTION / WINTERIZATION SCHEMATIC DIAGRAM
SCALE: N.T.S.

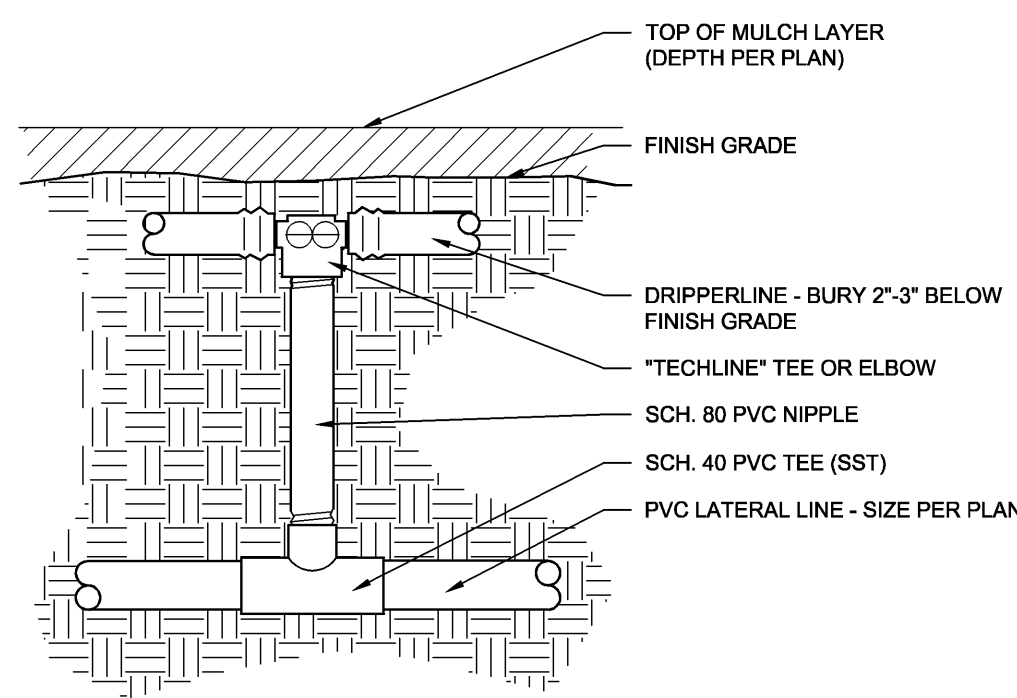
NOT FOR CONSTRUCTION



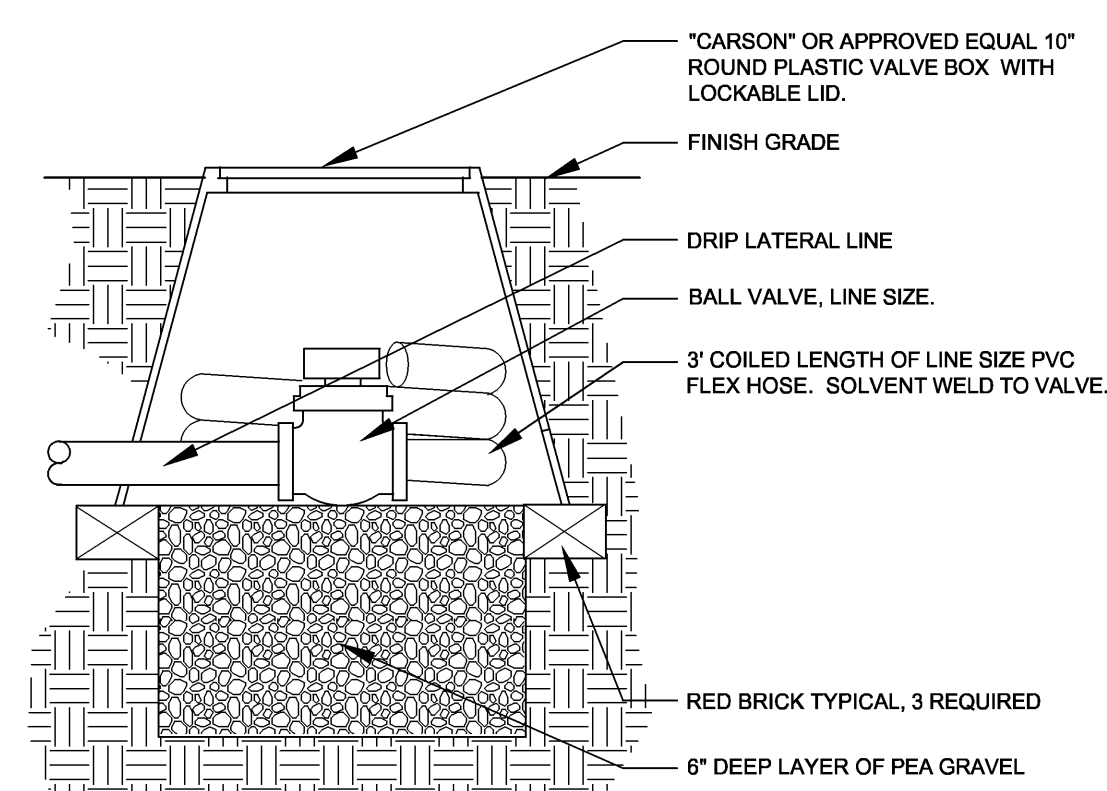
9 MAINLINE IN PLANTER AREAS
SCALE: N.T.S.



10 AUTOMATIC LATERAL LINE DRAIN
SCALE: N.T.S.

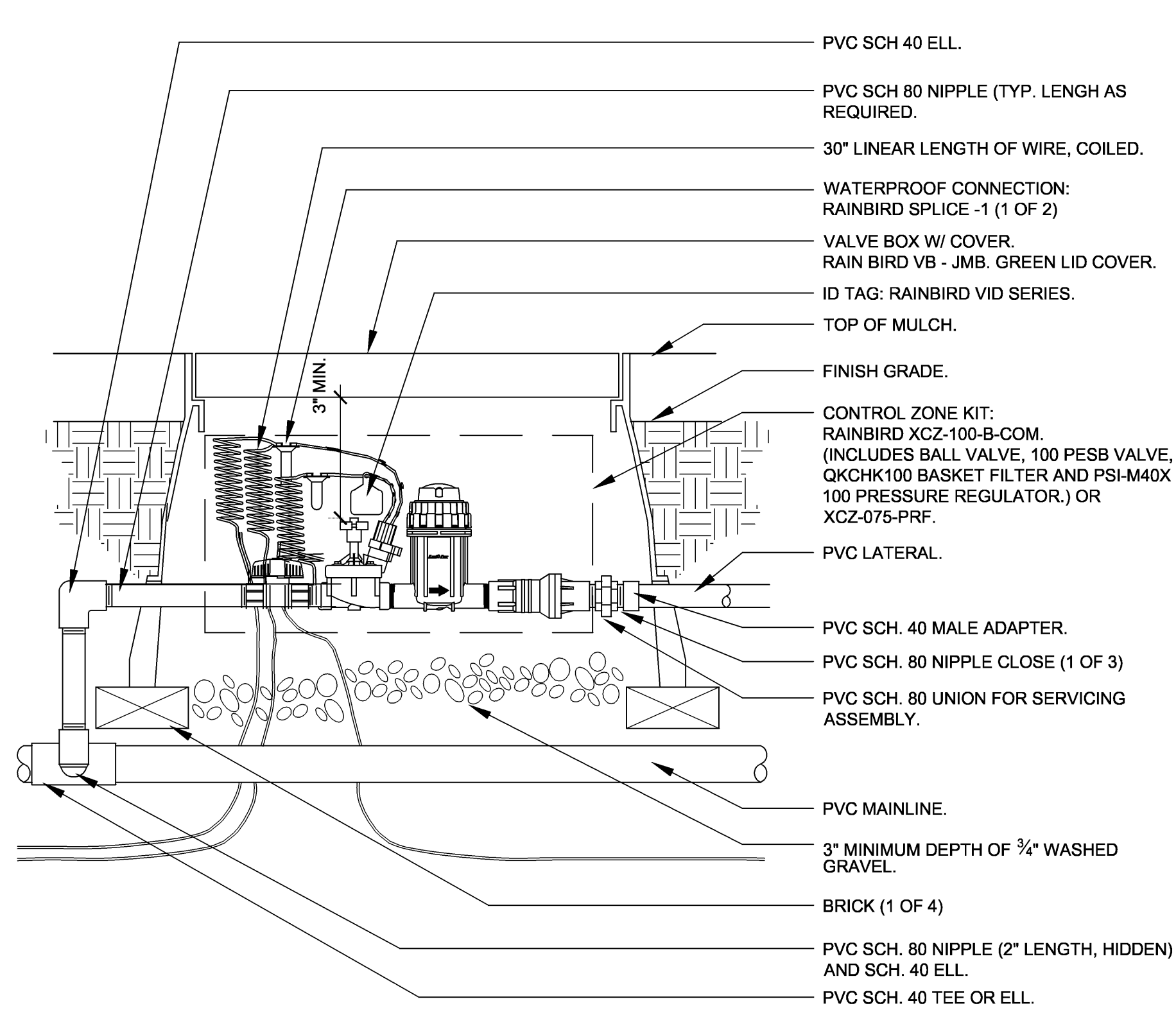


11 NETAFIM TUBING CONNECTION
SCALE: N.T.S.

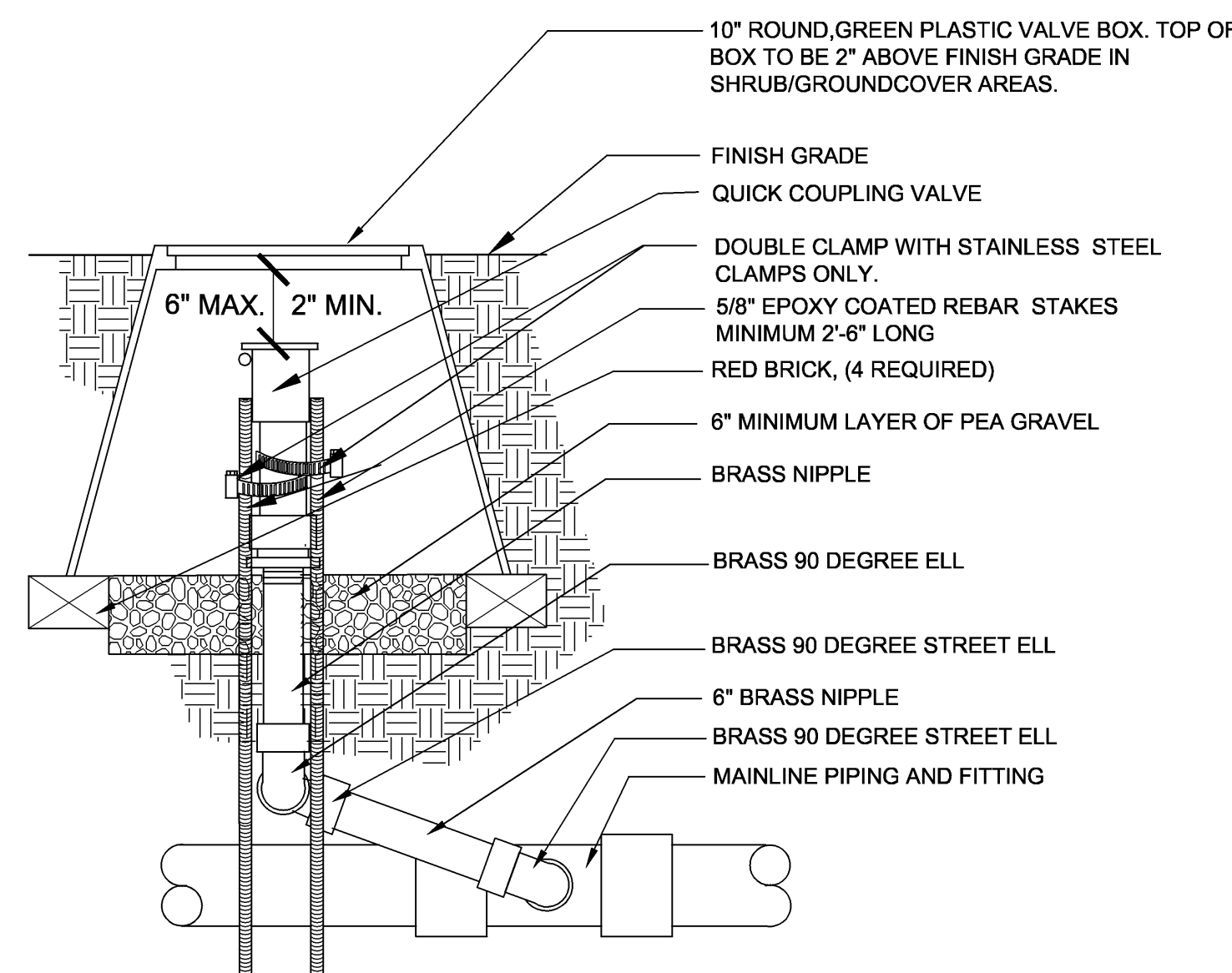


12 NETAFIM FLUSH VALVE
SCALE: N.T.S.

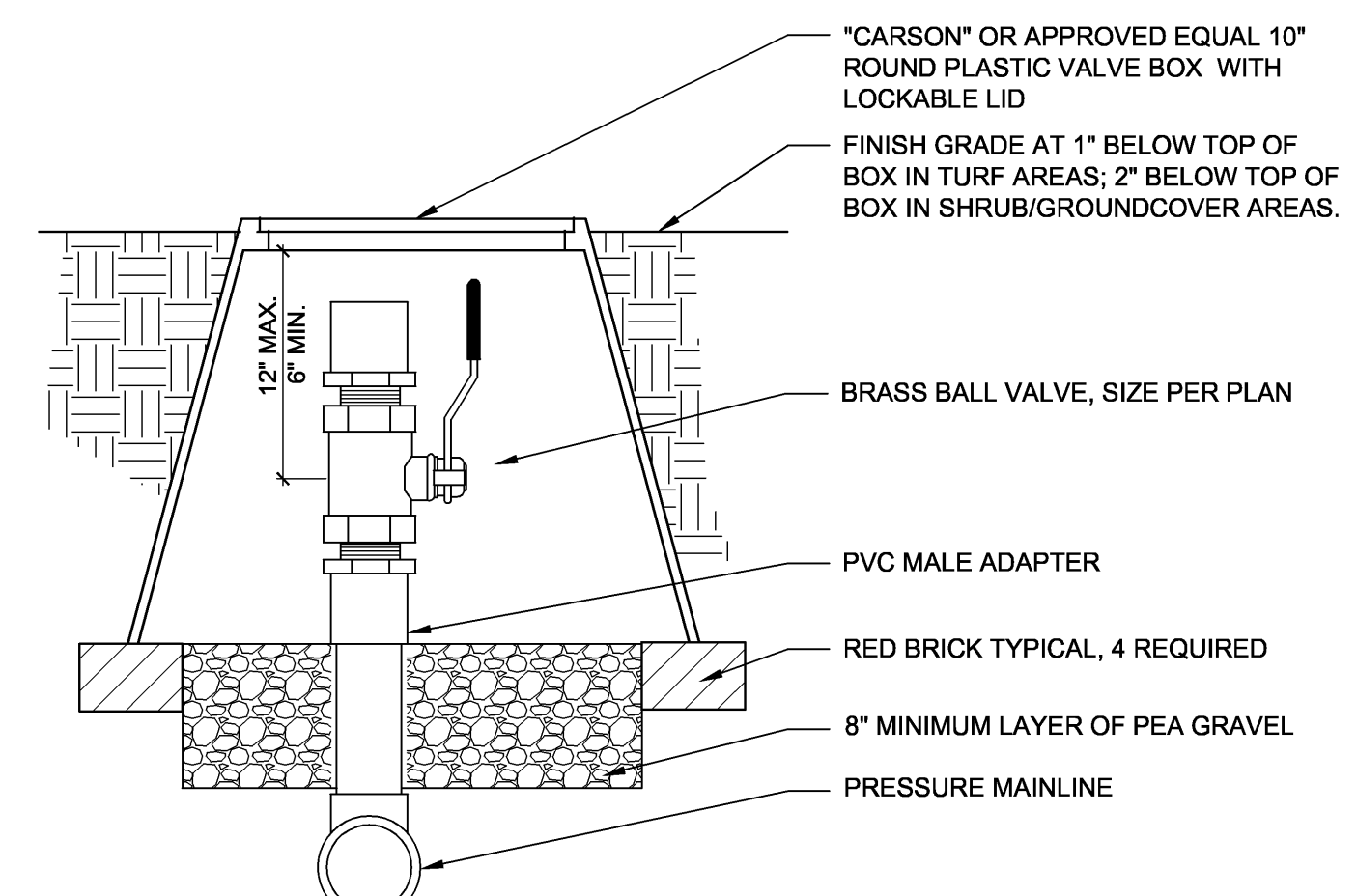
NOT FOR CONSTRUCTION



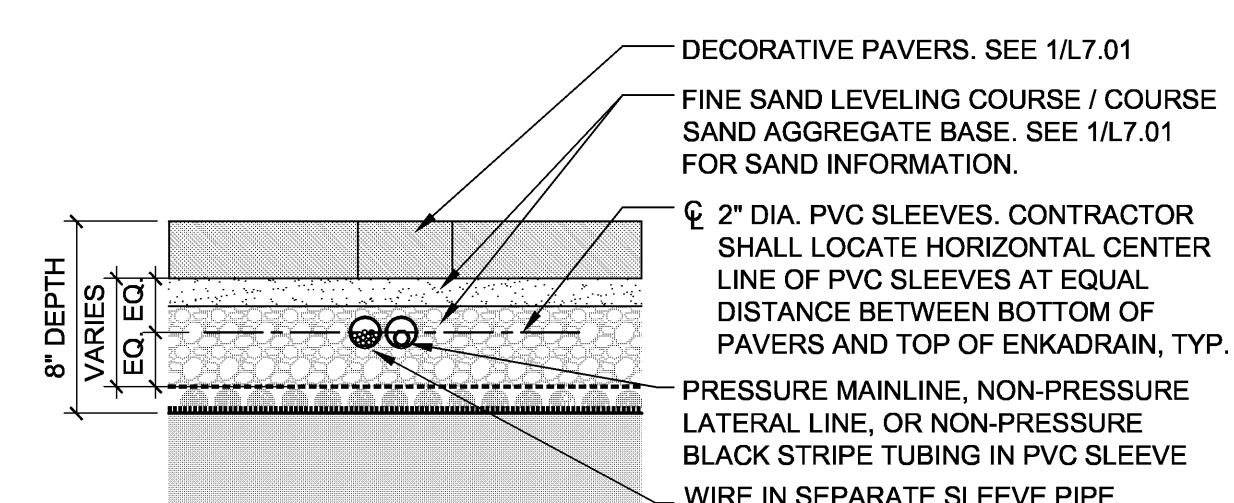
5 DRIP ZONE CONTROL KIT
SCALE: N.T.S.



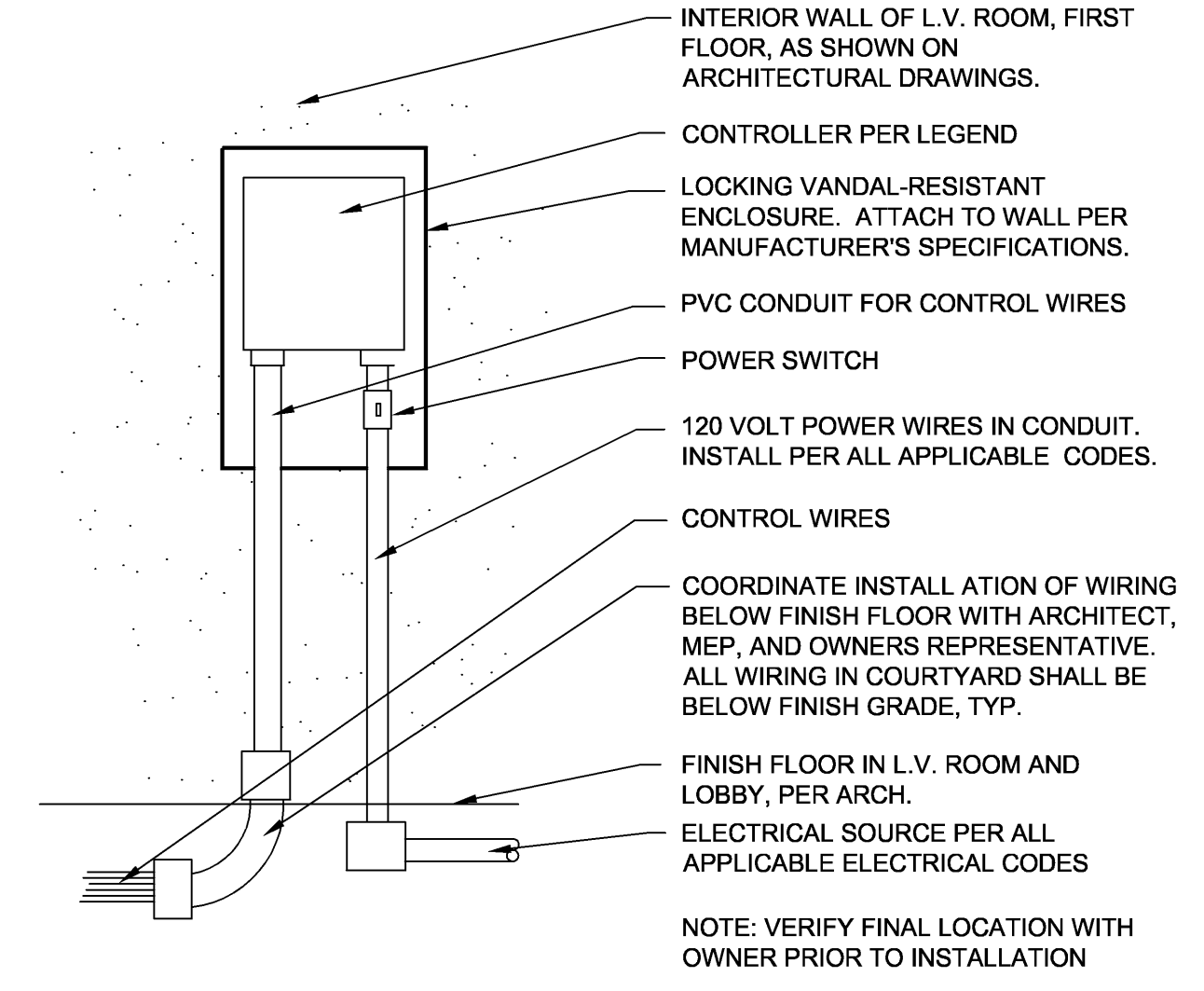
6 QUICK COUPLER / BLOW OUT VALVE
SCALE: N.T.S.



7 FULL PORT BALL VALVE
SCALE: N.T.S.

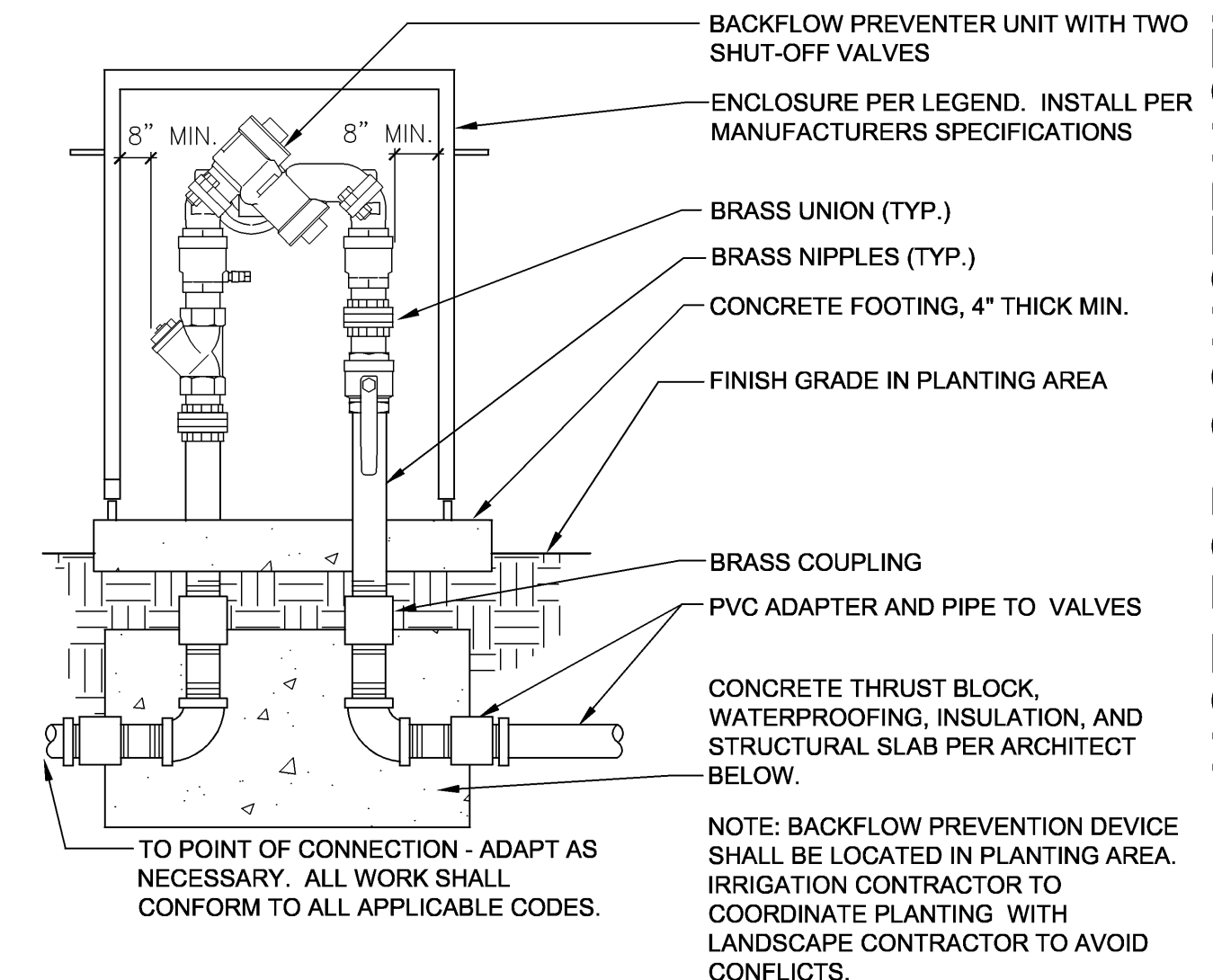


8 SLEEVING UNDER DECORATIVE PAVERS
SCALE: N.T.S.

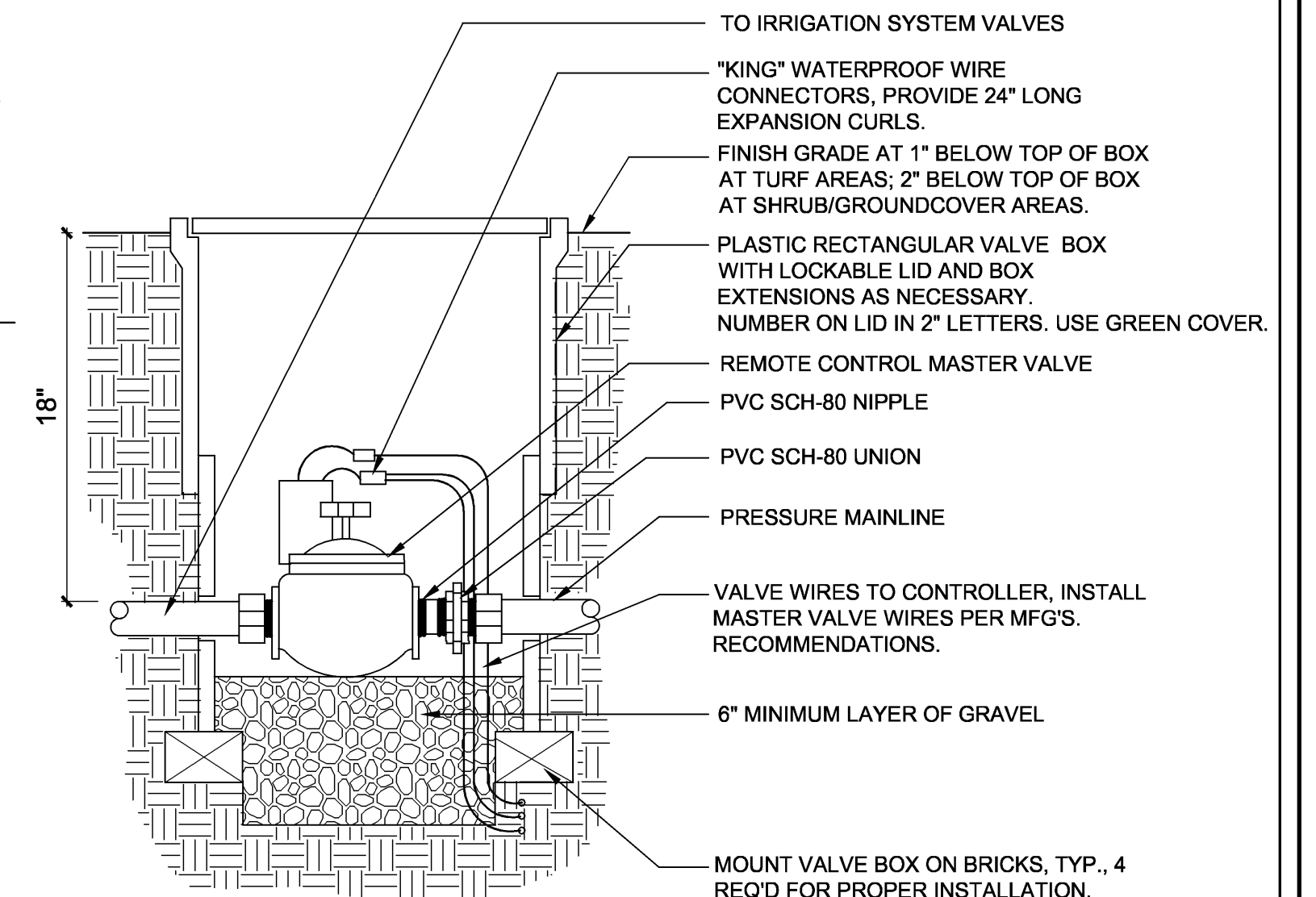


1 WALL MOUNTED CONTROLLER
SCALE: N.T.S.

2 NOT USED
SCALE: N.T.S.



3 BACKFLOW PREVENTION DEVICE
SCALE: N.T.S.



4 MASTER VALVE
SCALE: N.T.S.

LANDSCAPE ARCHITECTS
perspective | balance
Land Planning | Urban Design | Landscape Architecture | Park Planning
9137 S Regent Ave Suite 130 - Highlands Ranch, CO - Ph: 303.724.1777 - Fx: 303.724.1778

APPLICANT
Fairfield Homes at
Clocktower, LLC
10755 BRADFORD RD.,
SUITE 200
LITTLETON, COLORADO 80127
PHONE: 303.980.5447
FAX: 303.989.4969

CLOCKTOWER RESIDENCES AT TOWN CENTER
COURTYARD DESIGN DEVELOPMENT DOCUMENTS
FAIRFIELD HOMES AT CLOCKTOWER, LLC

ISSUE RECORD
ISSUE DATE: 100%_03/19/08
REVISIONS:

PROJECT #: 06032
DESIGN:
DRAWN:
CHECKED:
START DATE: 01/16/08

SHEET TITLE:
IRRIGATION AND
SLEEVING
NOTES AND DETAILS

SHEET NUMBER:

L5.02

9 OF 16 SHEETS

NOT FOR CONSTRUCTION